



E & E Experts Co (U) Ltd.

www.expertsug.com

Head office: PLOT 8B, Impala Avenue, Kololo, Kampala P.O BOX 118723- Kampala
Field office (Industrial base): Plot 141,Block 3, Mvule 1 Village , Bulisa Road Bugungu- Total, Bulisa District
(Tilenga Area).UGANDA.

Email : e.mohamed@expertsug.com ,info@expertsug.com

Tel: +256740292731 , +256776200080



About E&E Experts Co. (U) Limited



- ▶ ISO 14001 : 2015 for environmental management system certificate
- ▶ ISO 9001 : 2015 for Quality and management system certificate
- ▶ ISO 45001 : 2018 for occupational health and safety management system certificate
- ▶ Under scope of work :- Provision of the following services

Supply and apply Inspection and audit service for lifting equipment ,tubular ,rig equipment , in process inspection and pipeline baseline surveys - Supply and apply services of tubing running services ,wire line, fishing , drill stem test ,tubing conventional perforation ,down hole tool rental ,drilling fluids, completion fluids , oil production chemicals , hoisting , Conventional and non-conventional NDT ,Rig equipment maintenance ,drop object survey ,rope access, Cathodic protection ,corrosion monitoring ,environmental ,measurements and water treatment services ,technical consultancy , on job training services, electrical ,electronic and mechanical spare parts supply services - Manufacturing of couplings ,drill stem subs , pipe threader ,tubing, casing ,threading of rotary shoulder connections ,oil & gas pipe lines , camps , vessels , towers , skids , mud systems , refineries , power stations equipment , supply of equipment spare parts and threaded protectors.

ALL certificates are valid to September 2026.



About E&E Experts Co. (U) Limited

▶ Our Vision

Industry Is a Better Horse to Ride than Genius Consistent with the vision and values of the founder, we strives to strengthen world's industrial base through effective utilization of staff and materials. The means envisaged to achieve this are cutting edge technology and high productivity, consistent with modern management practices

▶ E&E Experts Team

E&E Experts Company provides services through professional experts. E&E Experts set international standards in choosing its Experts and develops continuous developing plans to ensure the quality of its Experts,

▶ Ethics

E&E Experts Company believes in successful management through providing high quality services, through building strategic partnership with its clients is built upon good trust and ethics to ensure reaching its clients goals. E&E Experts is considered its clients asset

▶ Transparency

E&E Experts Company guarantees transparent Services act without any conflict of interest moving in the right path to reach companies goals

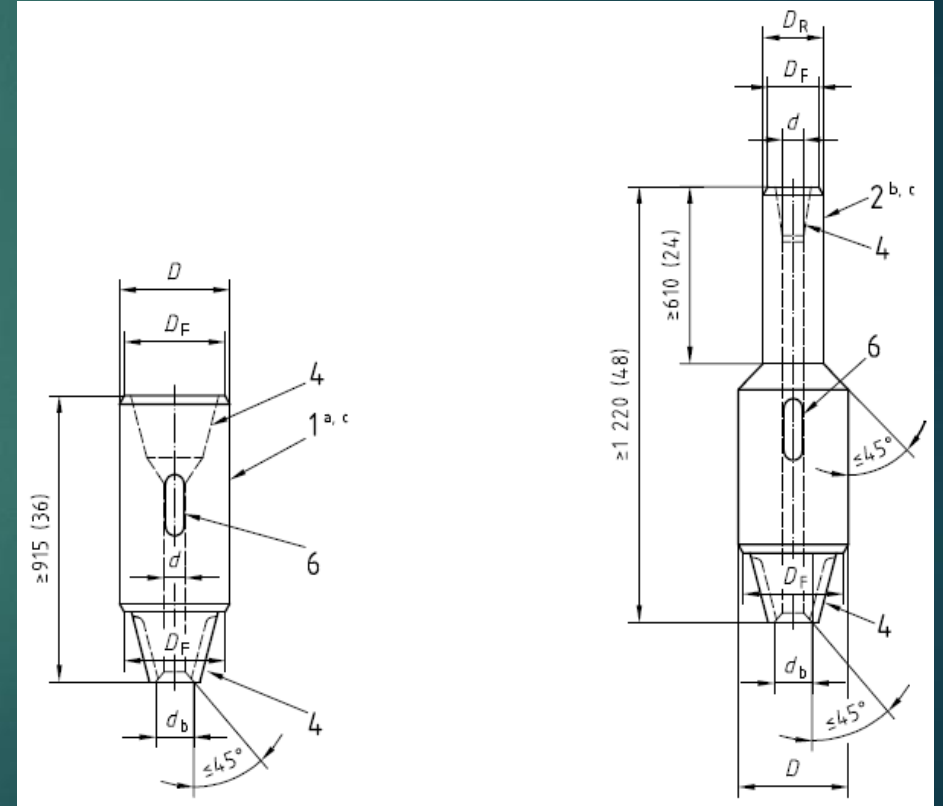
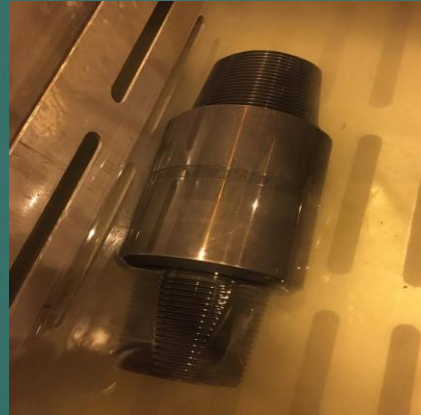
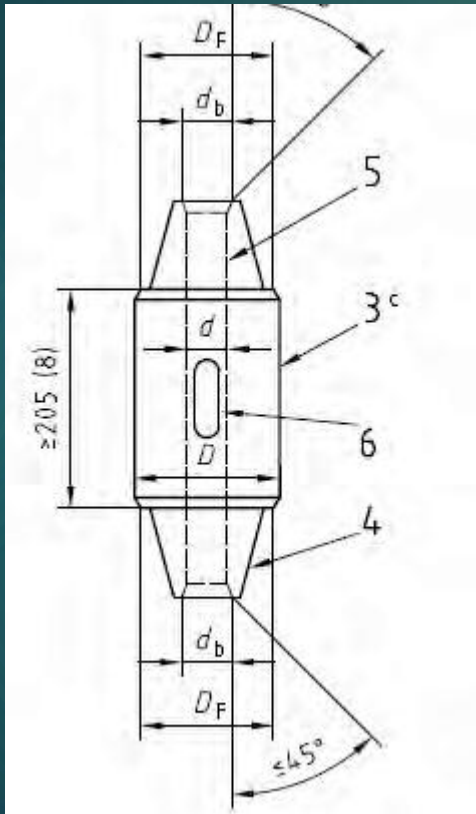


E&E Experts Co. (u) limited Machine Shop



Drill Stem Subs

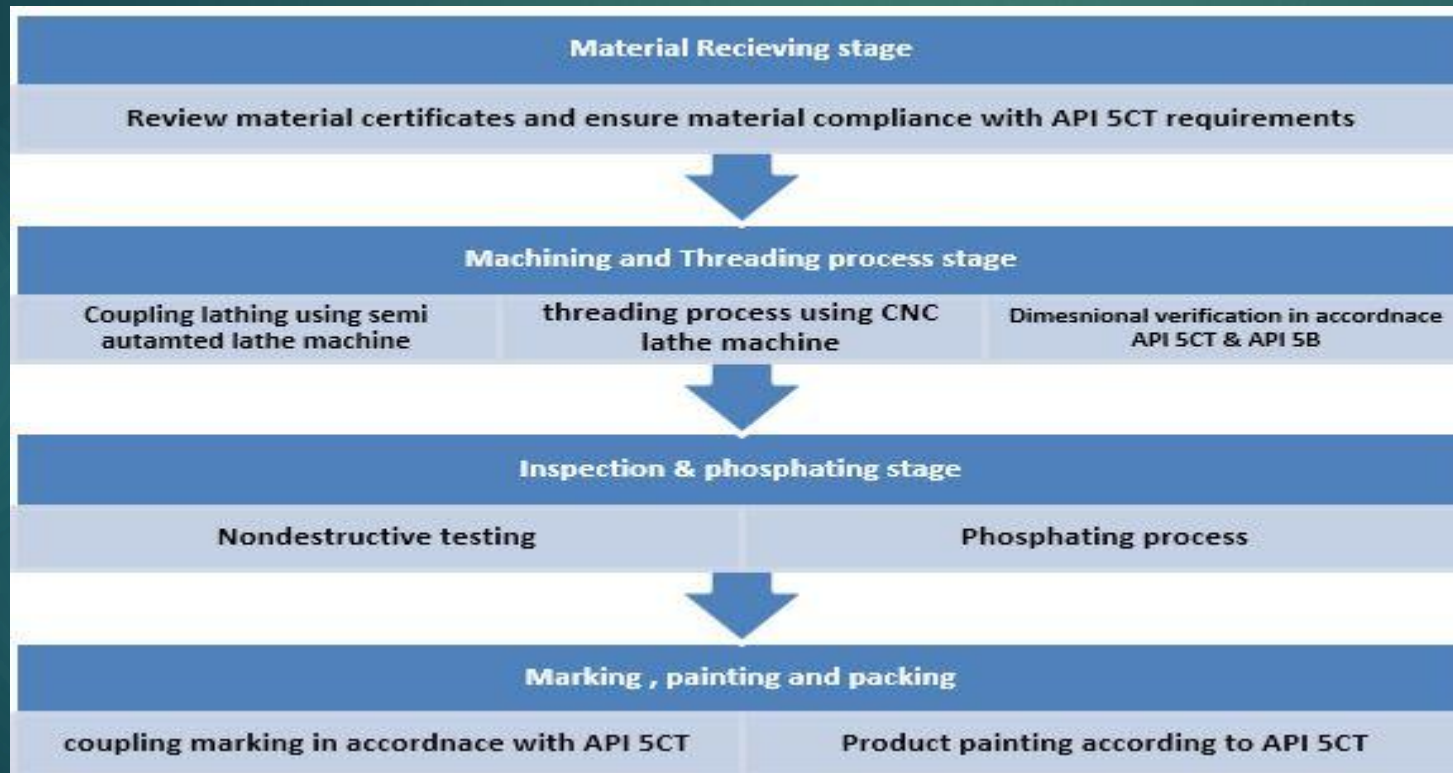
Our Drill Stem Sub designed and manufactured according to API 7-1 Specification (TYBE A / TYBE B / TYBE C)





Tubing and Casing Couplings

Our tubing and casing couplings designed and manufactured according to API 5CT Specification (EUE ; NU , BTC , SC) Connections from 2 7/8" to 9 5/8" OD

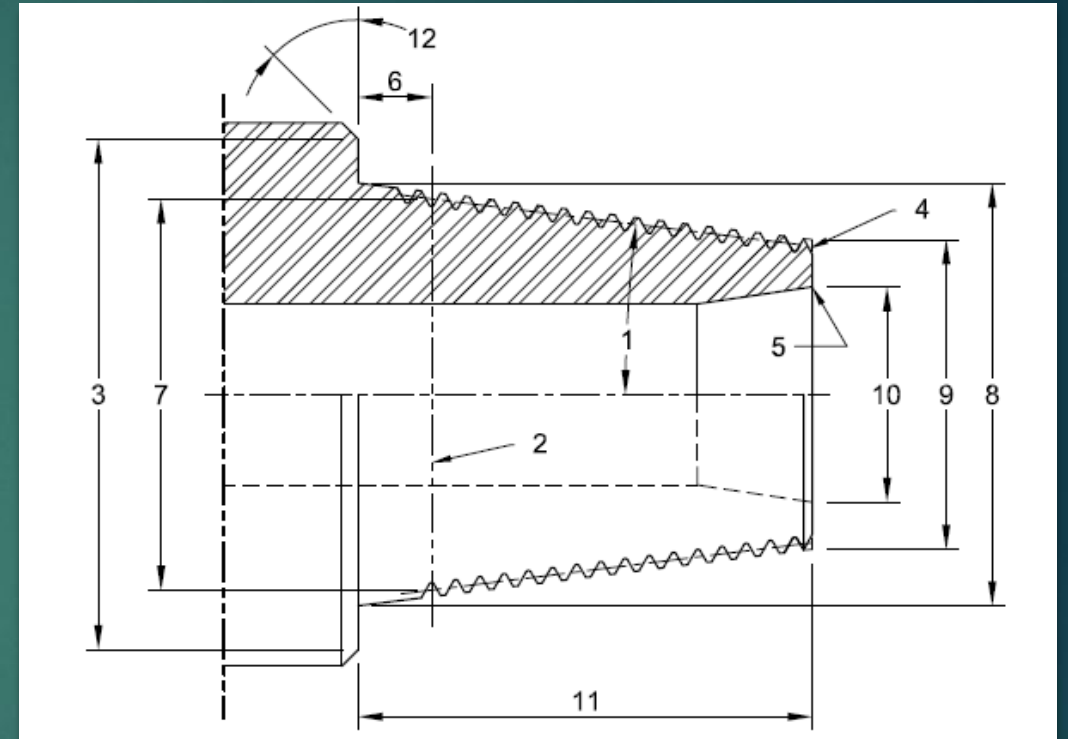




Rotary Shoulder Connections

Our Machine shop provides a wide range of rotary shoulder connections repairs and rethreading for drill pipes , Heavy weight drill pipes ; drill collars ; Rotary Subs. The pipe connections threaded and repaired according to API 7-1 & API 7-2 Specifications and with the following types:

- Numbered Connections (NC)
- XH
- Full Hole (FH)
- API Regular (Reg)
- PAC





Tubing and Casing Threading

Our Machine shop provides a wide range of tubing and casings connections repairs and rethreading according to API 5CT & API 5B Specifications and with the following types:

- Buttress connections
- EUE connections
- NU connections
- Round thread connections
- Premium connections such as vam , vam top , PH6; Tenares blue





Equipment



Machine Shop Equipment

- ▶ 1 x CNC Lathe Machine
- ▶ 2 x Lathe machine
Semiautomatic
- ▶ 2 x drill machine
- ▶ 2 x Shaper machine
- ▶ 2 x Band saw machine
- ▶ 2 x universal milling machine
- ▶ 2 x Hydraulic Rack System
- ▶ Phosphating System





Down Hole Tools Rental Service

E&E Experts Company Provides different down hole rental tools such as the followings:

- ▶ 3 1/2" OD Tubing PH6
- ▶ 4 1/2" OD Tubing PH6
- ▶ 2-7/8" od Drill Pipe PAC HI-torque
- ▶ 5" od Drill Pipe
- ▶ 3 1/2" OD HWDP
- ▶ String stabilizers
- ▶ Drilling Jars
- ▶ Different size of Scrapers
- ▶ Fishing tools





INLINE INSPECTION (ILI) METHODS AND PIPELINE INTEGRITY GAUGES

- ▶ In Line Inspection Methods
- ▶ Caliper and Geometric In-line Inspection “PIG’s”
- ▶ Caliper PIG’s carry electro-mechanical sensors to determine the geometric properties of a pipeline: measuring dents, bulging, buckling, and other geometric deformations. Caliper pigging is also used for location mapping and the geographical positioning of pipeline features.
- ▶ Magnetic Flux Leakage (MFL) In-line Inspection “PIG’s”
- ▶ Magnetic Flux Leakage (MFL) PIG’s use powerful magnets to magnetize the pipe wall to saturation. Tri-axial hall sensors measure magnetic flux leaking from defect sites.
- ▶ Ultrasonic (UT) In-line Inspection “PIG’s”
- ▶ Ultrasonic (UT) ILI PIG’s measure metal loss, corrosion, cracking, and gouges in a pipeline by direct measurement of ultrasonic pressure waves inside the pipe wall. These waves provide information that can be used to measure remaining wall thickness or detect and size cracking. Ultrasonic ILI PIG Configurations include UT Rotary (UT-R), UT Multi-Channel Ring (UT-MC Ring), UT Multi-Channel Octopus (UT-MC Octopus), and UT-CS Hawk Crack Detection, Sizing, and Monitoring (UT-CS Hawk).



Inspection Services

Our Experts in the field of Rig inspections and surveys perform the required inspection as per the recommended code of practice IADC, API standards & OEM recommendations.

- Rig drilling equipment
- Rig structures
- Rig lifting gears
- Rig winches and hoisting equipment
- Pressure vessels and tanks inspection
- Dropped object survey



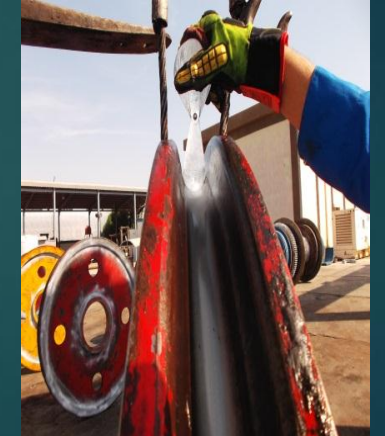


Crown Block Inspection API 8B

▶ NDT & Inspection activities

- ▶ sheaves groove and accessible welds.
- ▶ Lifting points welds
- ▶ Sheaves brackets & anchor points welds
- ▶ pad eyes welds and pin holes
- ▶ Any other critical areas specified by the manufacturer.

▶ Wear & dimensional check using the sheave groove gauge



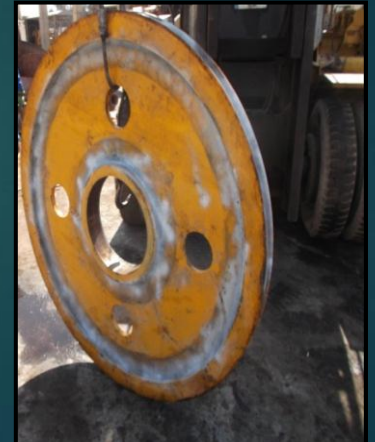


Travelling Block Inspection API 8B

▶ NDT & Inspection activities

- ▶ sheaves groove and accessible welds.
- ▶ Lifting point welds
- ▶ Sheaves brackets
- ▶ Any other critical areas specified by the manufacturer.

▶ Wear & dimensional check using the sheave groove gauge





Deadline Anchor Inspection API 8B

- ▶ **Some of NDT & Inspection activities**
 - ▶ Dead-line anchor groove and accessible welds.
 - ▶ Available welds for Dead-line anchor Structure.
 - ▶ Sensor pad eye welds and check hole for wear and deformation.
 - ▶ Any other critical areas specified by the manufacturer.
- ▶ **Wear & dimensional check using the sheave groove gauge**





Drawworks Inspection API 7k

- ▶ **Some of NDT & Inspection activities**
 - ▶ All band for Band Brake.
 - ▶ Welds for Fittings frame.
 - ▶ Welds of plates frame for Anti rotation pins.
 - ▶ Welds for Lifting point.
 - ▶ Welds for Anchor points.
 - ▶ Main drum.
 - ▶ Any other critical areas specified by the manufacturer.
- ▶ Check with caliper holes of fitting frame for deformation.
- ▶ Full visual control of lever shape for deformation.





Mast & Substructure Inspection

▶ Some of NDT & Inspection activities

- ▶ Welds for Lifting pad eyes, check hole for wear or deformation.
 - ▶ Welds for Anchor pad eyes, check hole for wear or deformation.
 - ▶ Welds for Connection pad eyes, check hole for wear or deformation.
 - ▶ Welds for Connection plates.
 - ▶ Any other critical areas & welds specified by the manufacturer.
-
- ▶ Check pins hole for wear or deformation.
 - ▶ Visual Check for Node points welds.
 - ▶ Visual Check for Structural members.
 - ▶ Visual Check for Any other critical areas & welds specified by the manufacturer.









Dropped Object Surveys

Areas that we typically cover on a full survey can include the following (or be tailored to your individual requirements);

- Derricks & Masts
- Travel Equipment
- Substructure
- Jack House & Legs
- Rig Equipment
- Moon Pool / Texas Deck
- Deck & Gantry Cranes
- Flare Stacks
- Helideck Structure
- Internal areas, mud room etc.

| Dropped Objects Survey Report - Crown and Water table - Area 1 | | | | | |
|--|--------|--|---|--|---------|
| Photo | Ref | Description / Location | Fastening Method | Condition | Control |
|  | CWN010 | Crown block sheaves and pins, central crown | Primary Securing : Bolted with lock nuts Secondary Retention: Lock wire | Condition : (X) Pass () Fail Comments : Satisfactory | Monthly |
|  | CWN012 | Dead line deflector sheave, Aft Crown | Primary Securing : Bolted with lock nuts Secondary Retention: Lock wire | Condition : (X) Pass () Fail Comments : Satisfactory | Monthly |
|  | CWN014 | Fast line sheaves, Fwd Crown | Primary Securing : Bolted with lock nuts Secondary Retention: Lock wire and safety chain | Condition : (X) Pass () Fail Comments : Satisfactory | Monthly |
|  | WTT006 | Timber block crown saver, underside of crown | Primary Securing : Bolted with lock nuts Secondary Retention: Lock wire, safety chain and 4 part shackle | Condition : (X) Pass () Fail Comments : Satisfactory | Monthly |



Nondestructive testing

▶ NDT Methods

- ▶ Dye penetrant testing
- ▶ Magnetic particles inspection
- ▶ Ultrasonic testing
- ▶ Visual inspection





Our Inspectors

▶ NDT Inspectors

ASNT LEVEL II

- ▶ Dye penetrant testing
- ▶ Magnetic particles inspection
- ▶ Ultrasonic testing
- ▶ Visual inspection



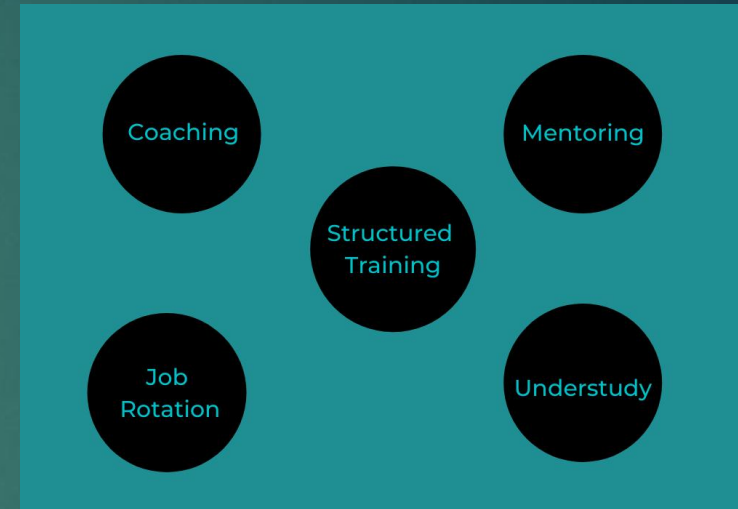
- Lifting Inspectors
- LEEA Certified Inspectors
- NSL Certified inspectors





Provide on-Job training Service

- ▶ Provide all types of on-job training as :
 - Job Rotation
 - Coaching
 - Mentoring
 - Job instruction Training
 - Apprenticeship Training
 - Practical and site training (Safety – QMS – Inspection)





Steel structure and Caravans Fabrication

Fabrication of CCU (Cargo Carrying unit) suck baskets ; toolboxes ; containers ; portable units

Fabrication of caravans for accommodation camps fixed and portable

Fabrication and repair of tanks and steel structure items





Technical support and consultations

▶ API & ISO Prequalification

- ▶ We provide consultants to our clients to prequalify the company to achieve API & ISO certifications such as API Q1 ; API Q2 ; ISO 9001 ; ISO 14001

▶ Rig auditing

- ▶ We provide to operator companies rig auditing services to ensure the integrity and sustainability of the drilling operations



Our Team

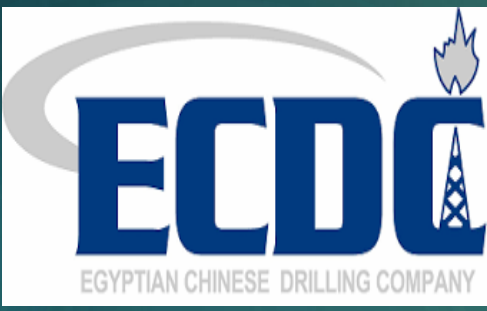
- ▶ Our Team consist of highly experienced management team with more than 20 years experiences in Oil and Gas sector in addition to the academic education.
- ▶ Our technical team is a competent team with the required skills and certifications



Top of key clients



Schlumberger





Thank You